



FACTORY

NINGHAI ETHAN LIGHTING TECHNOLOGY CO., LTD

Address: Dajiahe Industry Zone, NingHai county, NingBo city, ZheJiang Province, P.R.China

E-mail: yuchengzhaoming@163.com Contact person: Ms Ge

Phone : 0086 139 6835 8811

Webstie: <https://www.cnledstreetlight.com>

EXPORT COMPANY

SHENZHEN EKI LIGHTING INDUSTRIAL CO., LIMITED

Address: Room 612, No.15 East Road ShaJiang, SongGang Street Bao An, ShenZhen, GuangDong Province, P.R.China.

E-mail: judi@ekilhs.com Contact person: Judi Xiang

Phone : 0086 186 6499 2592

Webstie: <https://www.ekilhs.com>



PATENT

COMPANY PROFILE



NINGHAI ETHAN LIGHTING TECHNOLOGY CO., LTD ,a professional enterprise of outdoor led street light housing, was established in 2012.

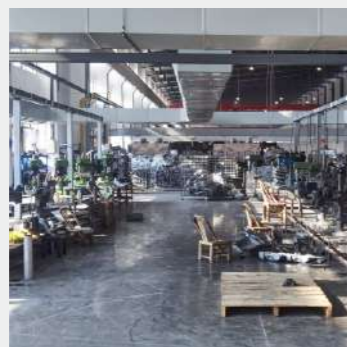
The company is equipped with aluminum die-casting machines(500T,900T), spray line, assembly line and other supporting facilities etc.

Also, it has its own complete & scientific quality management system to product R & D design, quality control etc. Our goal is to design a more beautiful and practical quality street light housing. Over these years, our integrity, strength and product quality have gained well recognition in the industry.

Welcome to visit Ethan lighting.



Die Casting Workshop



Fine processing workshop



Spray Powder Workshop



CNC machine



CNC



Sandblasting Pictures

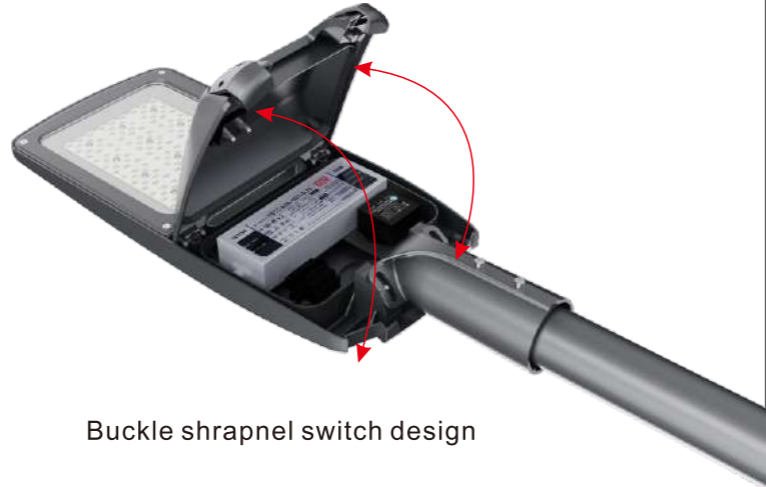


Die Casting



Shipping Warehouse

LED STREET LIGHT FIXTURE

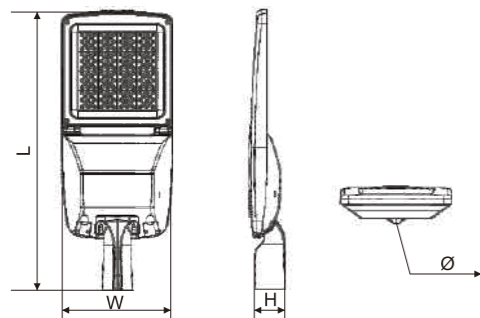


Buckle shrapnel switch design

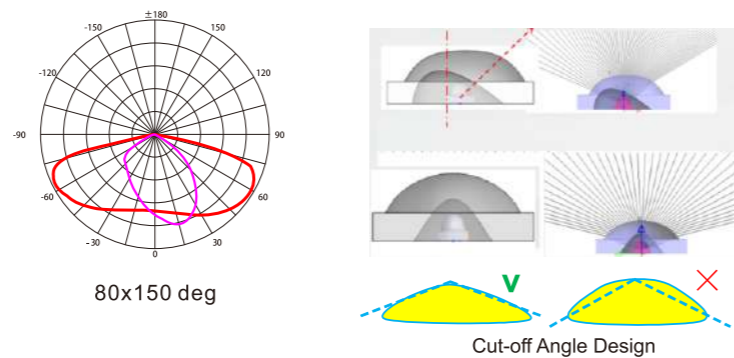
SPECIFICATIONS

Model	Power	Lamp Size	Carton Size	N. W. (KG)	G. W. (KG)	Pole Diameter (mm)	IP/IK Grade
YC-BL05A	40W-60W	572*230*97mm	622*270*125mm	3.0KG	3.4KG	Ø60	IP66/IK08
YC-BL05B	80W-100W	642*250*97mm	680*285*125mm	3.9KG	4.4KG	Ø60	
YC-BL05C	100W-120W	693*250*97mm	720*285*125mm	4.2KG	4.7KG	Ø60	
YC-BL05D	150W-180W	727*290*97mm	750*350*125mm	4.9KG	5.5KG	Ø60	
YC-BL05E	200W-240W	828*290*97mm	850*350*125mm	5.7KG	6.4KG	Ø60	

DIAGRAMS



PHOTOMETRIC



LED STREET LIGHT FIXTURE



YC-AL 14 (50W-80W)



YC-AL 13 (90W-120W)

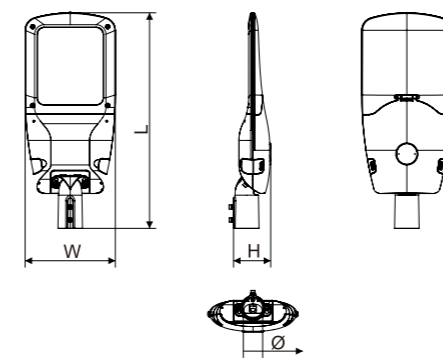


YC-AL 16 (150W-200W)

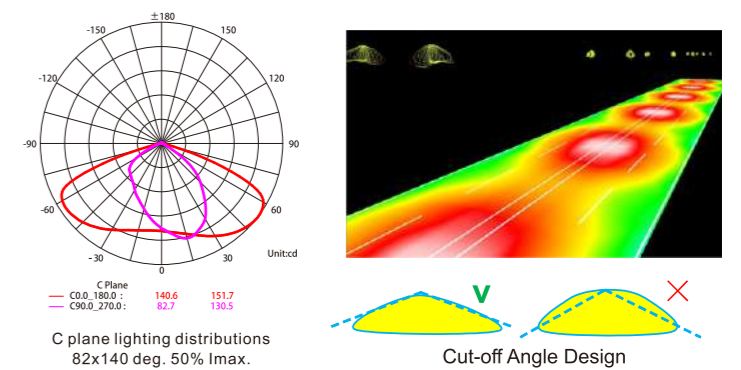
SPECIFICATIONS

Model	Power	Lamp Size	Carton Size	N. W. (KG)	G. W. (KG)	Pole Diameter (mm)	IP/IK Grade
YC-AL14	50W-80W	607*240*117mm	650*270*150mm	3.5KG	4.2KG	Ø50/Ø60	IP66/IK08
YC-AL13	90W-120W	670*280*117mm	715*315*165mm	4.5KG	5.5KG	Ø60	
YC-AL16	150W-200W	733*342*118mm	775*375*140mm	6.5KG	7.1KG	Ø60	

DIAGRAMS



PHOTOMETRIC



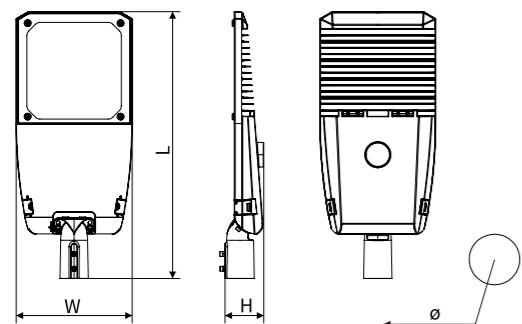
LED STREET LIGHT FIXTURE



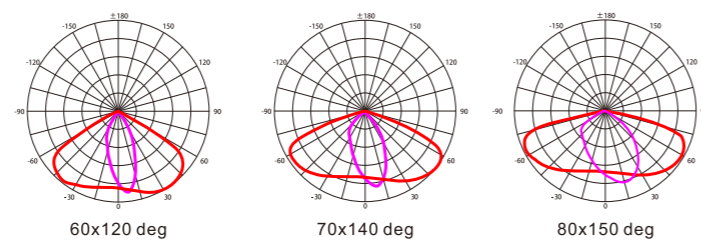
SPECIFICATIONS

Model	Power	Lamp Size	Carton Size	N. W. (KG)	G. W. (KG)	Pole Diameter (mm)	IP/IK Grade
YC-BL01(A)	30W-50W	492*182*97mm	550*230*130mm	2.4KG	2.8KG	Ø50/Ø60	IP66/IK08
YC-BL01(B)	60W-90W	550*200*97mm	600*240*130mm	3.0KG	3.4KG	Ø60	
YC-BL01(C)	100W-120W	601*243*105mm	645*285*130mm	3.7KG	4.2KG	Ø60	
YC-BL01(D)	120W-150W	652*263*105mm	700*300*130mm	4.4KG	5.2KG	Ø60	
YC-BL01(E)	150W-180W	722*314*105mm	755*350*130mm	5.5KG	6.2KG	Ø60	
YC-BL01(F)	200W-260W	823*314*105mm	875*355*130mm	6.4KG	7.4KG	Ø60	

DIAGRAMS



PHOTOMETRIC



C Plane Lighting Distributions

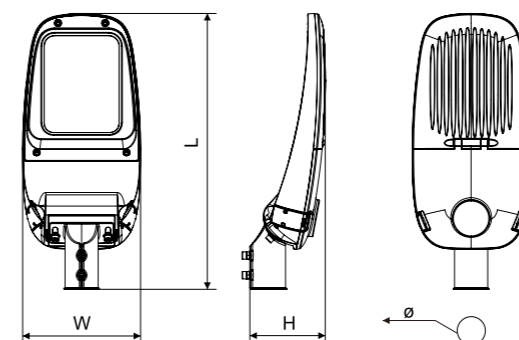
LED STREET LIGHT FIXTURE



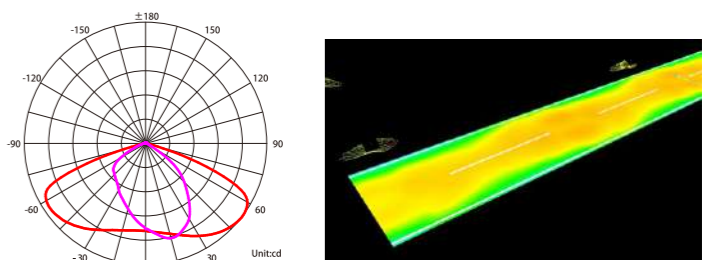
SPECIFICATIONS

Model	Power	Lamp Size	Carton Size	N. W. (KG)	G. W. (KG)	Pole Diameter (mm)	IP/IK Grade
YC-BL 03(Mini)	30W-50W	491*210*134mm	550*230*135mm	2.6KG	3.0KG	Ø50/Ø60	IP66/IK08
YC-BL 03(S)	50W-80W	609*259*159mm	680*277*145mm	4.0KG	4.8KG	Ø60	
YC-BL 03(M)	90W-150W	669*305*183mm	750*330*150mm	5.1KG	6.0KG	Ø60	

DIAGRAMS



PHOTOMETRIC



C plane lighting distributions
82x140 deg. 50% I_{max}.

Cut-off Angle Design

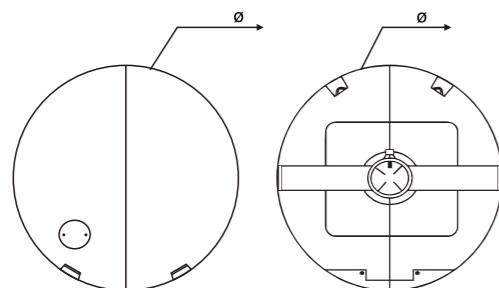
LED GARDEN LIGHT



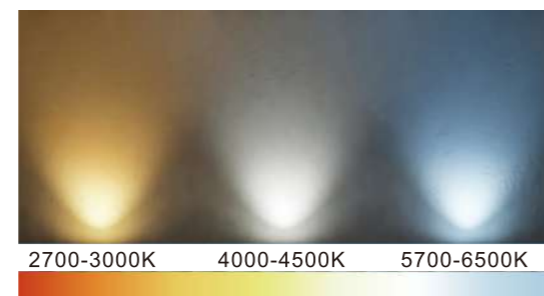
SPECIFICATIONS

Model	Power	Lamp Size	Carton Size	N. W. (KG)	G. W. (KG)	Pole Diameter (mm)	IP/IK Grade
YC-AL18A	50W-100W	500*484mm	570*570*130mm	6.5KG	7.5KG	Ø80	IP65/IK08
YC-AL18B	50W-100W	500*546mm	570*570*130mm	6.3KG	7.3KG	Ø80	
YC-AL18C	50W-100W	500*298mm	570*570*130mm	5.4KG	6.4KG	Ø60	
YC-AL18D	50W-100W	670*500*120mm	570*570*130mm	5.4KG	6.4KG	Ø60	
YC-AL18E	50W-100W	500*138mm	570*570*130mm	5.1KG	6.1KG	/	

DIAGRAMS



CCT:



LED GARDEN LIGHT



INSTALLATION SUGGESTIONS

- A1: 4M-5M D4: 5M-6M
- B2: 4M-5M E5: 6M-7M
- C3: 4M-5M F6: 7M-8M



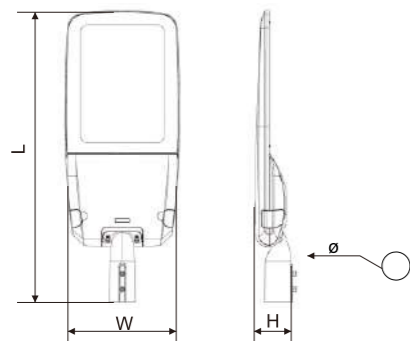
LED STREET LIGHT FIXTURE



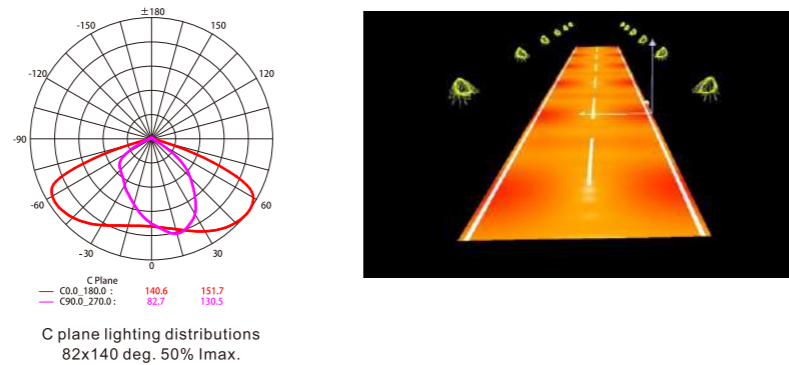
SPECIFICATIONS

Model	Power	Lamp Size	Carton Size	N. W. (KG)	G. W. (KG)	Pole Diameter (mm)	IP/IK Grade
YC-DL01A	30W-50W	520*198*100mm	560*240*135mm	2.4KG	3.0KG	Ø60	IP66/IK08
YC-DL01B	60W-80W	620*272*108mm	660*310*145mm	3.7KG	4.3KG	Ø60	
YC-DL01C	100W-120W	720*272*108mm	760*310*145mm	4.5KG	5.2KG	Ø60	
YC-DL01D	120W-150W	750*333*110mm	790*370*150mm	5.7KG	6.7KG	Ø60	
YC-DL01E	180W-240W	850*333*110mm	890*370*150mm	7.7KG	8.7KG	Ø60	

DIAGRAMS



PHOTOMETRIC



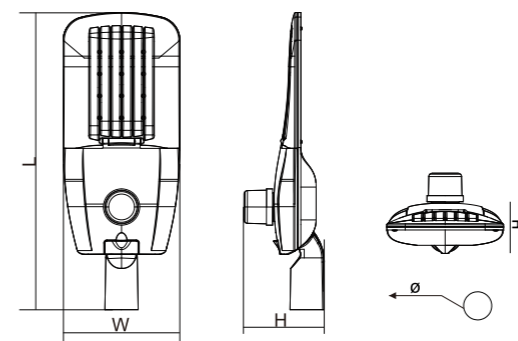
LED STREET LIGHT FIXTURE



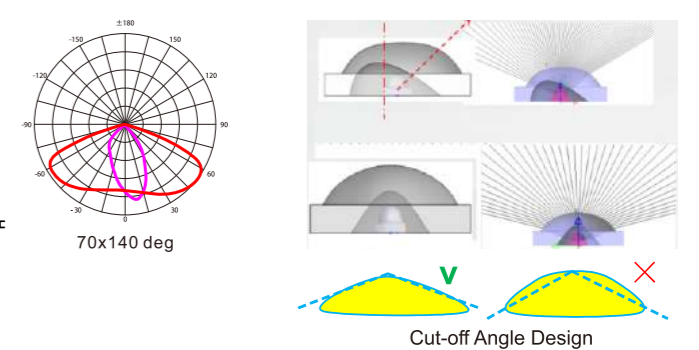
SPECIFICATIONS

Model	Power	Lamp Size	Carton Size	N. W. (KG)	G.W. (KG)	Pole Diameter (mm)	IP/IK Grade
YC-BL04(S)	20-60W	618*230*116mm	650*270*150mm	3.0KG	3.6KG	Ø60	IP66/IK08
YC-BL04(M)	60-120W	689*270*119mm	715*315*160mm	3.8KG	4.5KG	Ø60	
YC-BL04(L)	150-240W	826*325*120mm	880*375*140mm	5.5KG	6.4KG	Ø60	

DIAGRAMS



PHOTOMETRIC



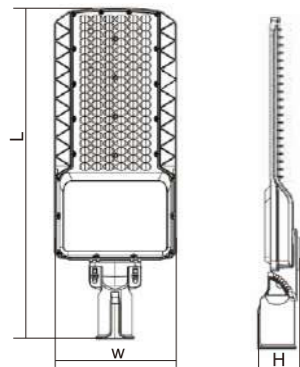
LED STREET LIGHT FIXTURE



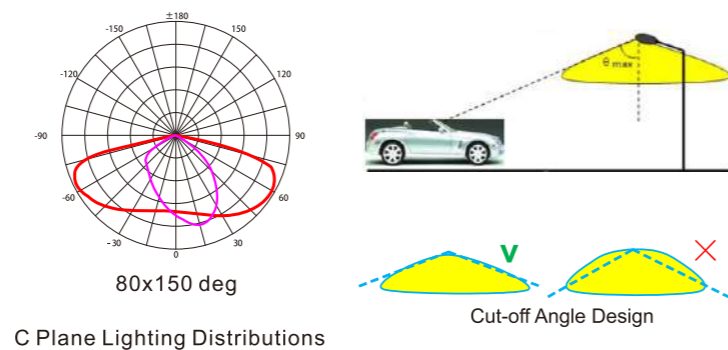
SPECIFICATIONS

Model	Power	Lamp Size	Carton Size	N. W. (KG)	G. W. (KG)	Pole Diameter (mm)	IP/IK Grade
YC-DL02A	10W-30W	392*160*67mm	430*215*143mm	1.8KG	2.1KG	Ø60	IP66/IK08
YC-DL02B	30W-50W	485*188*67mm	520*215*143mm	2.2KG	2.5KG	Ø60	
YC-DL02C	60W-100W	565*220*67mm	600*265*143mm	3.0KG	3.5KG	Ø60	
YC-DL02D	120W-150W	660*240*67mm	690*285*143mm	3.7KG	4.2KG	Ø60	
YC-DL02E	150W-200W	760*276*67mm	795*318*143mm	4.5KG	5.0KG	Ø60	

DIAGRAMS



PHOTOMETRIC



SOLAR LED STREET LIGHT

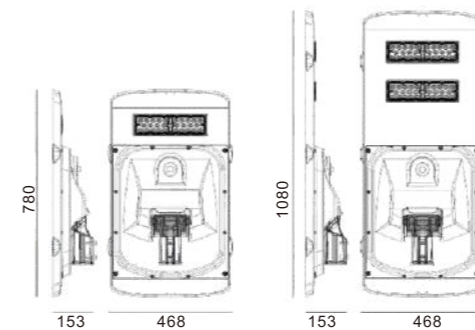


IP65/IK08

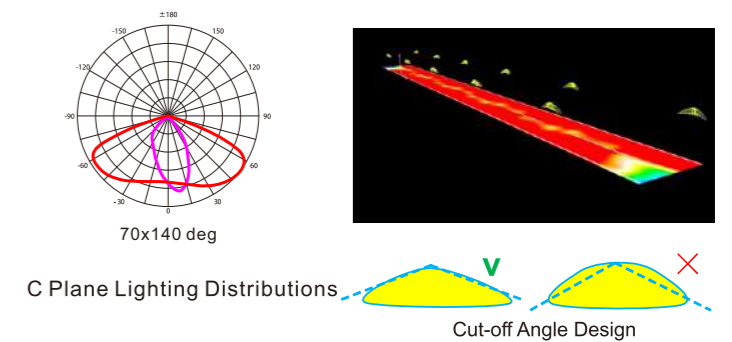
SPECIFICATIONS

Model	Power	Lamp Size	Installation Height	Lithium Battery	Solar Panel	Light source
YC-CL02L (30W)	30W	780*468*153mm	4-6m	12.8V/18AH	18V/65W	5050 28LED
YC-CL02L (40W)	40W	780*468*153mm	4-6m	12.8V/24AH	18V/65W	5050 28LED
YC-CL02L (50W)	50W	1080*468*153mm	6-8m	12.8V/36AH	18V/95W	5050 56LED
YC-CL02L (60W)	60W	1080*468*153mm	6-8m	12.8V/36AH	18V/95W	5050 56LED
YC-CL02L (80W)	80W	1080*468*153mm	6-8m	12.8V/42AH	18V/95W	5050 56LED

DIAGRAMS



PHOTOMETRIC



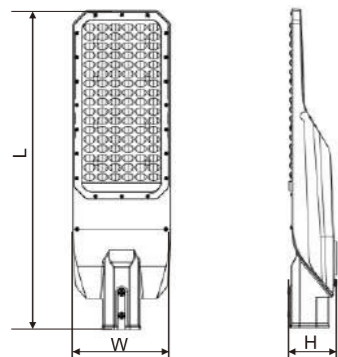
LED STREET LIGHT FIXTURE



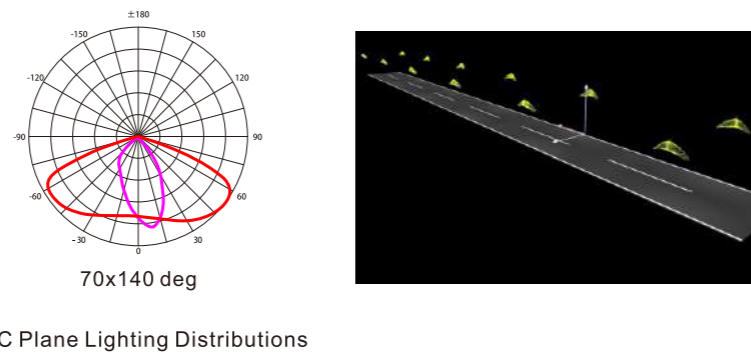
SPECIFICATIONS

Model	Power	Lamp Size	Carton Size	N. W. (KG)	G. W. (KG)	Pole Diameter (mm)	IP/IK Grade
YC-DL03A	30W-50W	445*190*90mm	505*238*130mm	2.0KG	2.4KG	Ø60	IP66/IK08
YC-DL03B	60W-80W	533*190*90mm	590*238*130mm	2.5KG	3.0KG	Ø60	
YC-DL03C	100W-150W	620*190*90mm	680*238*130mm	3.5KG	4.1KG	Ø60	

DIAGRAMS



PHOTOMETRIC



C Plane Lighting Distributions

SOLAR LED GARDEN LIGHT

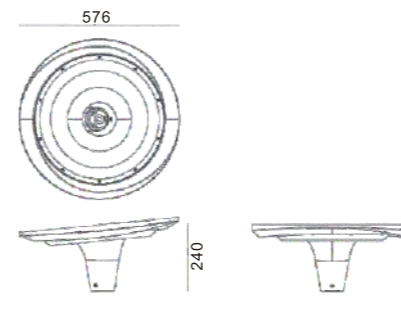


IP65/IK08

SPECIFICATIONS

Model	Power	Lamp Size	Installation Height	Lithium Battery	Solar Panel	Light source
YC-CL01L	15W	Ø576*H240mm	3-5m	6.4V/18AH	9V/30W	3030 93LED

DIAGRAMS



The garden lamp is exquisitely designed with unique craftsmanship, providing high brightness and soft, clear light. It is easy to install and plugs directly into an electrical outlet, offering a long-lasting and stable lighting effect without any additional power costs. Enjoy a cozy evening at home with our stylish and convenient courtyard lamp. our solar yard lights for a green and bright lighting solution.



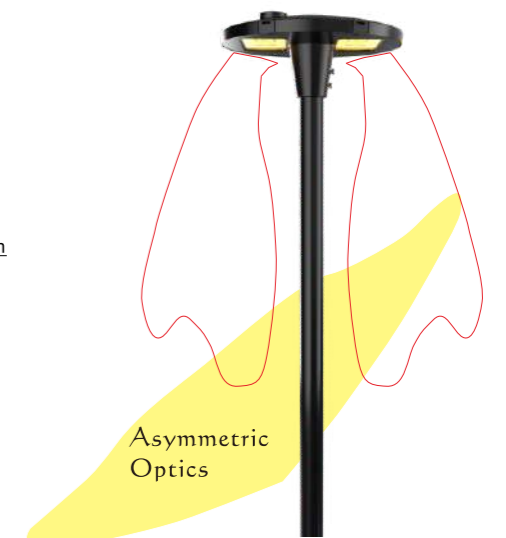
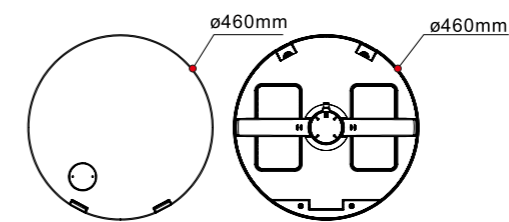
LED GARDEN LIGHT FIXTURE



SPECIFICATIONS

Model	Power	Lamp Size	CTN Size	Net Weight	Gross Weight	Pole Diameter	IP/IK Grade
YC-AL 17(Side arm)	50W-80W	Ø460*H515mm	545*545*130mm	5.4KG	6.4KG	Ø80	IP65/IK08
YC-AL 17(Double arm)	50W-80W	Ø460*H453mm	545*545*130mm	5.7KG	6.8KG	Ø80	IP65/IK08
YC-AL 17(Middle arm)	50W-80W	Ø460*H194mm	545*545*130mm	4.8KG	5.8KG	Ø60/Ø80	IP65/IK08

DIAGRAMS



The street light features a sleek design with a die-cast aluminum lamp body and efficient heat dissipation technology. With their streamlined shape and reliable illumination, they're ideal for enhancing safety and visibility on the roadway.



SPECIFICATIONS

Model	Power	Lamp Size	CTN Size	Net Weight	Gross Weight	Pole Diameter	IP/IK Grade
YC-AL 10	30W-50W	507*210*143mm	560*240*255mm	5.1KG	5.8KG (2PCS)	Ø50/Ø60	IP66/IK08
YC-AL 07	60W-100W	616*259*186mm	680*295*150mm	4.0KG	4.9KG	Ø60	IP66/IK08
YC-AL 06	90W-150W	676*303*187mm	750*355*165mm	5.3KG	6.3KG	Ø60	IP66/IK08
YC-AL 09	150W-220W	850*366*198mm	915*415*185mm	9KG	10.5KG	Ø60	IP66/IK08



SPECIFICATIONS

Model	Power	Lamp Size	CTN Size	Net Weight	Gross Weight	Pole Diameter	IP/IK Grade
YC-AL02	60W-100W	685*251*95mm	730*310*140mm	6.2KG	6.7KG	Ø60	IP66/IK08
YC-AL03	100W-150W	745*301*95mm	790*345*145mm	7.5KG	8.5KG	Ø60	IP66/IK08
YC-AL12	40W-50W	623*259*181mm	680*295*150mm	4.9KG	5.9KG	Ø60	IP66/IK08
YC-AL11	80W-120W	693*310*181mm	750*355*165mm	5.5KG	6.7KG	Ø60	IP66/IK08